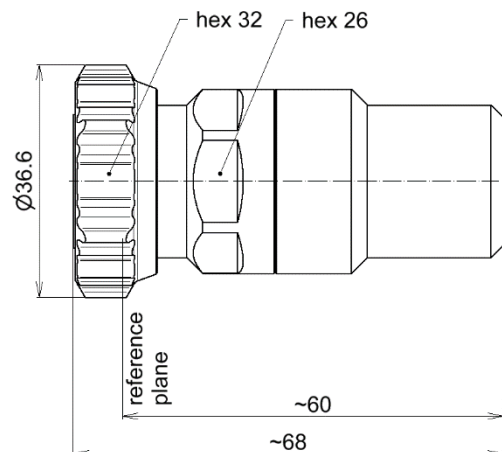
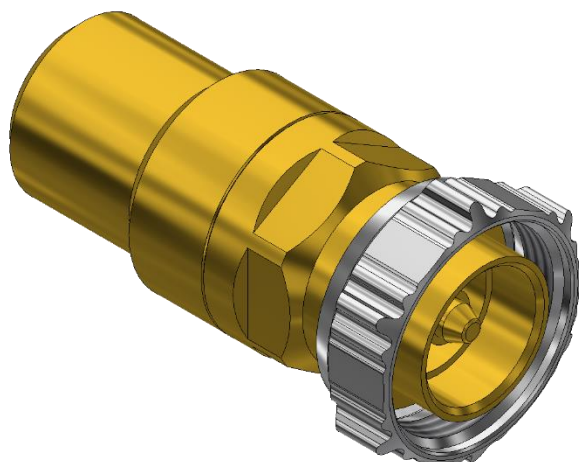


PRECISION LOAD || BN 533733R000



all dimensions in millimeter

Radio frequency characteristics

Interface type	7-16 plug per IEC 61169-4
Frequency range	DC to 7.5 GHz
Impedance	50 Ω
DC-resistance	50 Ω ±0.5 Ω
Return loss, min.	44 dB @ DC to 7.5 GHz
Power rating, max.	0.5 W

General mechanical data

Center conductor material / surface finish	CuBe age hardened / gold-plated
Outer conductor material / surface finish	copper alloy / gold-plated
Insulation	cross linked polystyrene
Other metallic parts / surface finish	copper alloy / gold-plated copper alloy / nickel-plated
Weight, approx.	0.2 kg
Marking	laser engraving

General environmental conditions

Operation	
Ambient temperature range	+18 to +28°C
Storage	
Ambient temperature range	-40 to +70°C
Relative humidity	95% (non condensing)

Scope of delivery and accessories

Scope of delivery	certificate of calibration, handling instructions
-------------------	---